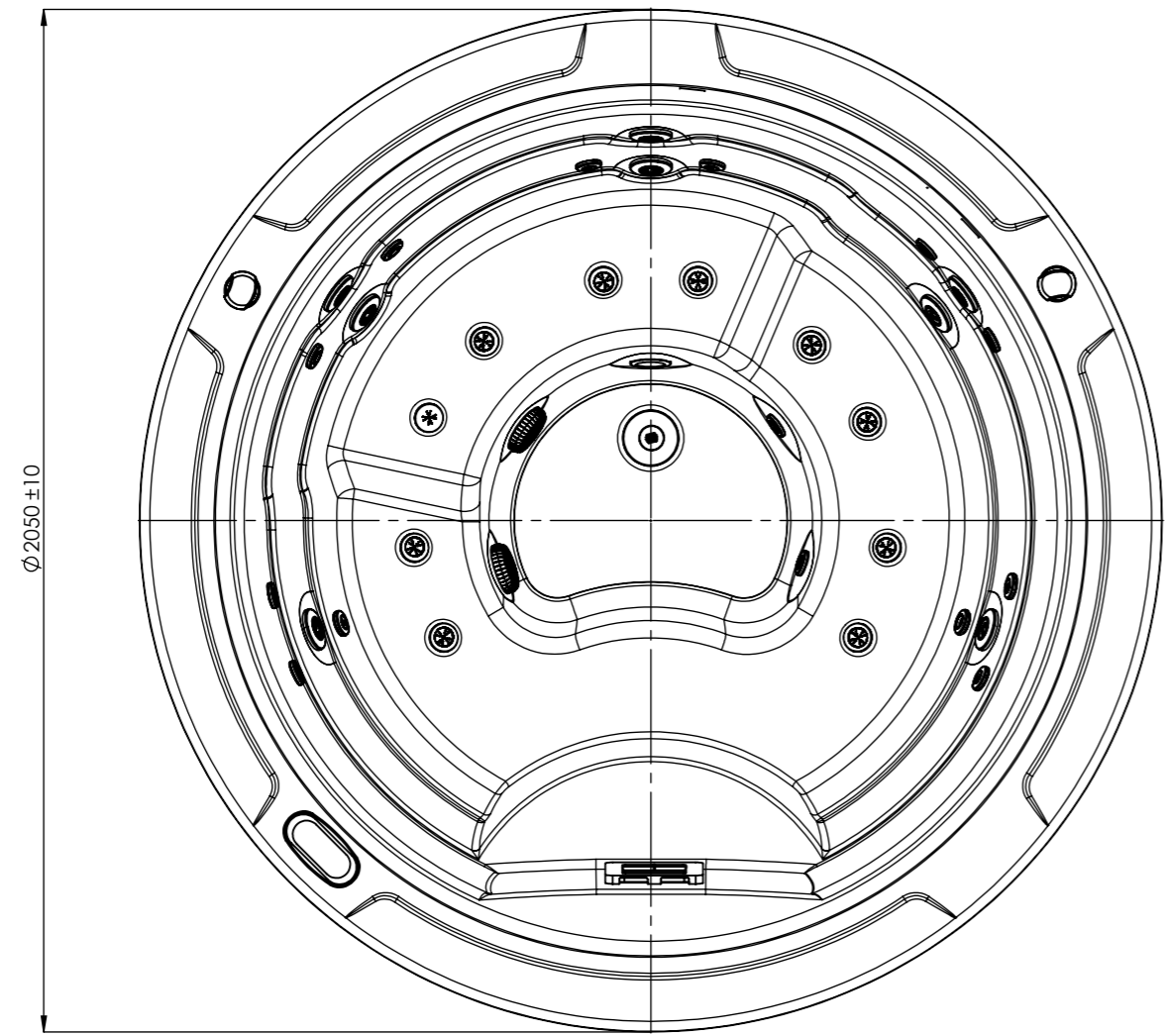
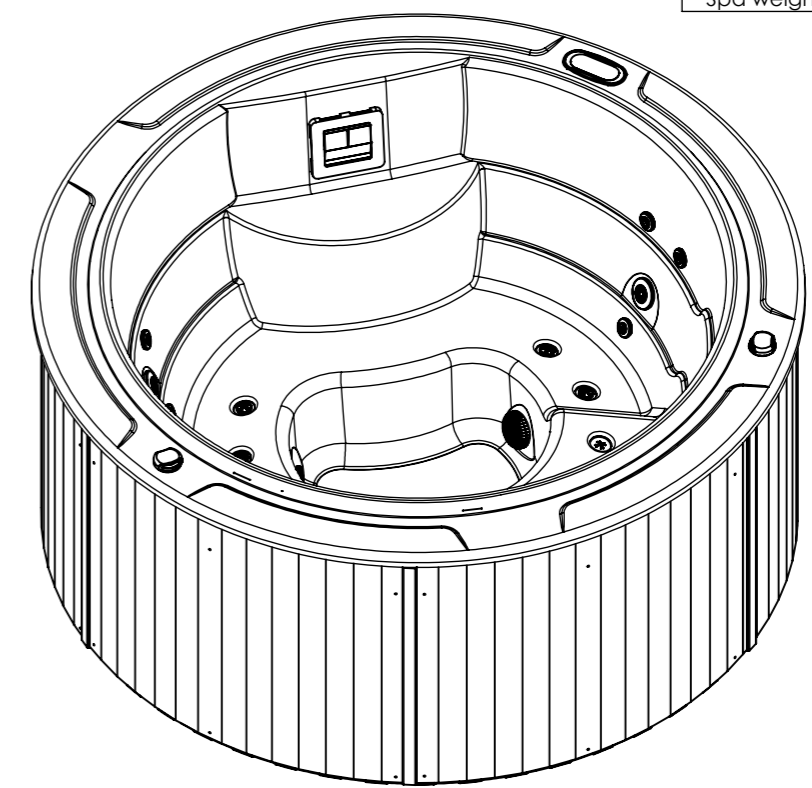
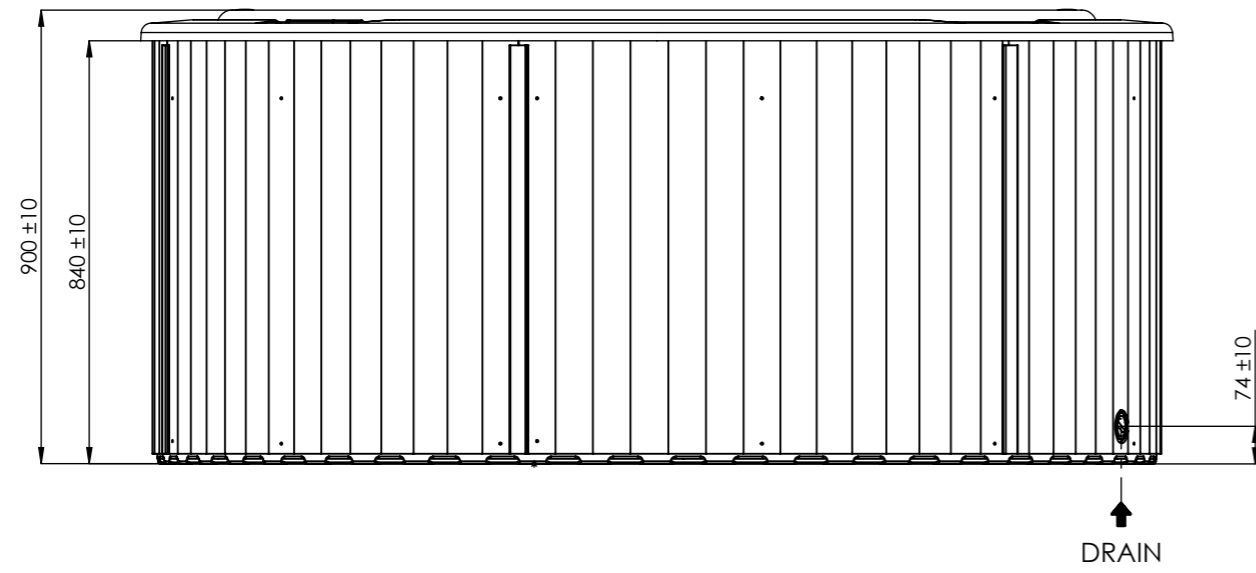
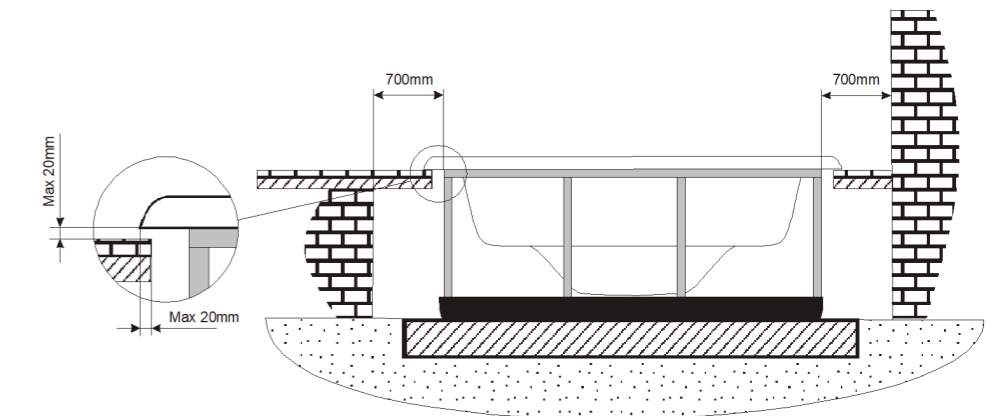


General specifications	
Spa weight (empty)	260 Kg
Spa weight (full)	920 Kg



**Inground option**

**WARNING:**  
It's essential to keep a minimum clearance access of **700mm** all around.



↑ ↑  
ELECTRICAL BOARD CONNECTIONS ACCESS

According to our policy of continuous improvement, dimensions, features or components of this product can be partially or completely changed without prior notice.  
It's Customer responsibility to verify that this is the last version of the drawing

08	19/11/2020	A. Miquel	Updated.
07	31/01/2020	A. Miquel	Bathub new geometry.
06	14/12/2018	D.Castillo	Spa weight added.
05	12/07/2018	A. Miquel	Jets changed (CMP).
04	08/05/2017	O. Faura	Changing of electronic parts references.
Change No.	Date	Name	Modification

Remarks Dimensions in mm. General Tolerances +/- 10mm			<b>COMMERCIAL</b>			
Drawn	25/04/2012	J.Jorba		Part Number	Rev.	First Angle Projection
Checked	25/04/2012	I.Nicolas		52163	08	
Scale	1:15	General Tolerance				
Sheet	1/2	DIN 7168 ISO 2768g				